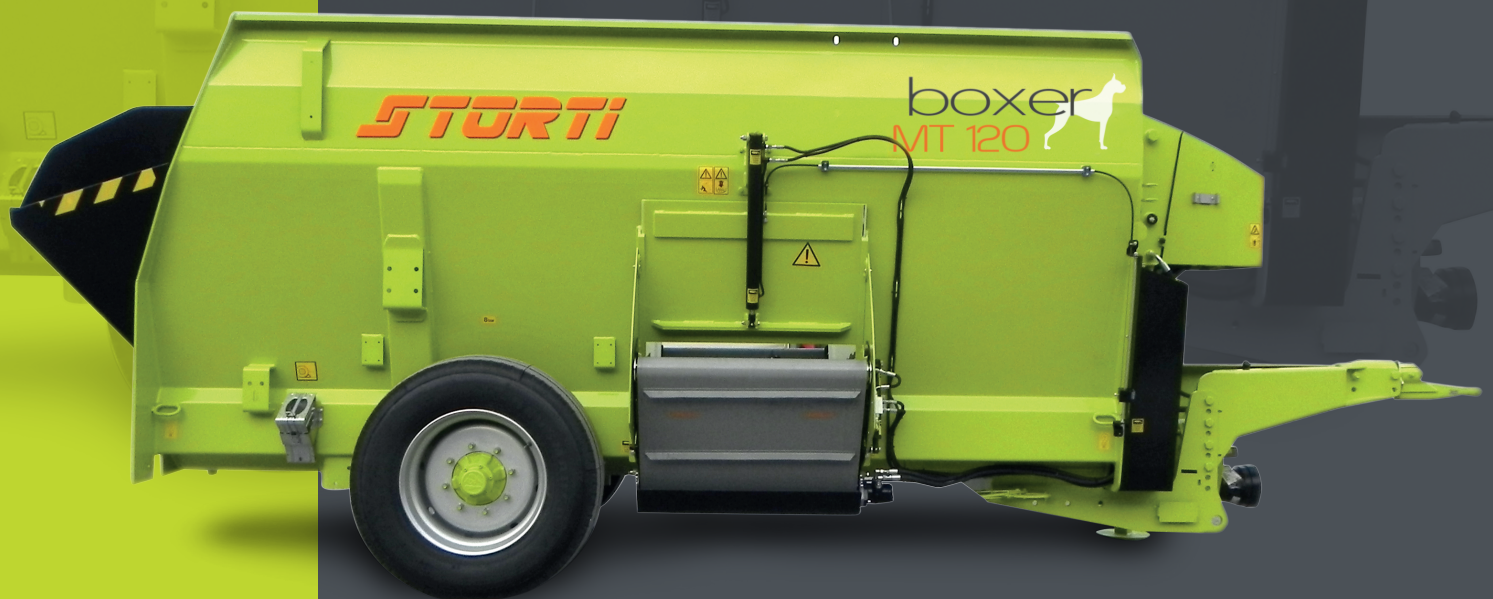


# NEWS NEWS NEWS NEWS **BOXER**

MT 70 | MT 90 | MT 120 | MT 150 | MT 180 | MT 210 | MT 240

DS 70 | DS 90 | DS 120 | DS 150 | DS 180



## VERSATILE AND FAST-CUTTING HORIZONTAL TWO-AUGER FEED MIXER WAGON

### HORIZONTAL TRAILED FEED MIXER WAGON



Photos, configuration  
and technical data are  
for guidance only and  
are not legally binding\*

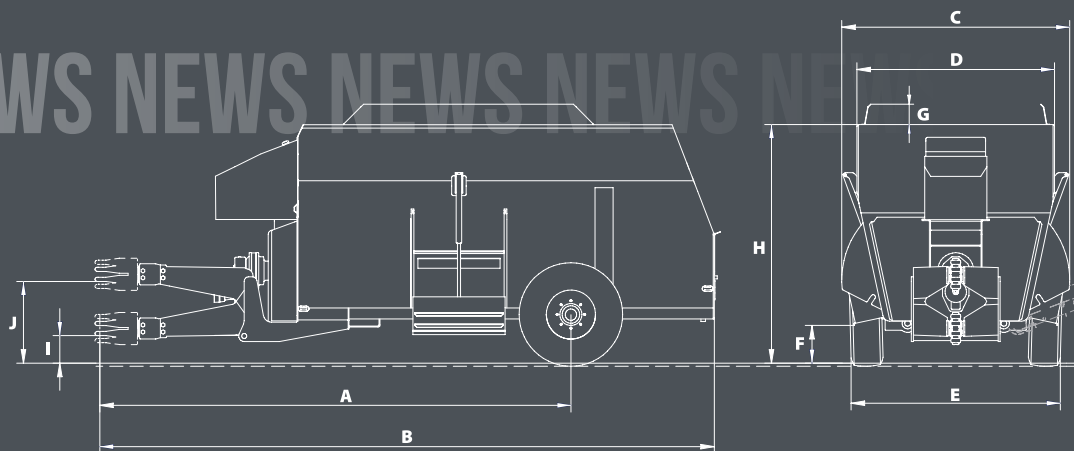
The new PITBULL feed mixer wagon completes Storti's horizontal range.

A new universal silage milling loader enhances the machine's performance.



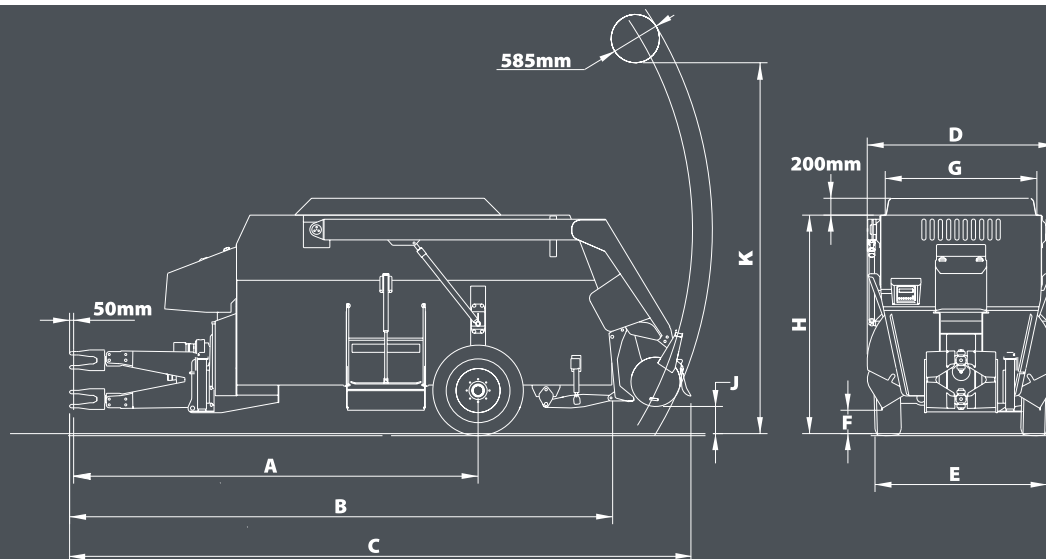
# BOXER NEWS NEWS NEWS NEWS NEWS

MT



	A	B	C	D	E	F	G	H	I	J	Power requirement	Unladen weight	Full load weight	
m <sup>3</sup>	mm	mm	mm	mm	mm	mm	mm	mm	mm	mm	kW-HP	kg	kg	
<b>MT 70</b>	7	4.360	5.065	2.180	1.770	1.950	240	200	2.095	240	780	40-55	*	
<b>MT 90</b>	9	4.780	5.750	2.180	1.770	2.050	290	200	2.215	300	840	44-60	*	
<b>MT 120</b>	12	4.700	6.125	2.275	1.970	2.110	285	200	2.395	290	830	51-70	5.080*	10.000
<b>MT 150</b>	15	4.900	6.065	2.270	1.970	2.510	310	200	2.605	320	860	62-85	5.460*	11.000
<b>MT 180</b>	18	5.390	7.065	2.455	2.180	2.510	280	200	2.715	300	940	70-95	6.260*	13.000
<b>MT 210</b>	21	5.540	7.360	2.455	2.180	2.510	270	200	2.905	300	940	81-110	6.920*	14.000
<b>MT 240</b>	24	5.710	7.700	2.455	2.180	2.510	270	200	3.100	300	945	88-120	7.340*	15.000

DS



	A	B	C	D	E	F	G	H	K	J	Power requirement	Unladen weight	Full load weight	
m <sup>3</sup>	mm	mm	mm	mm	mm	mm	mm	mm	mm	mm	kW-HP	kg	kg	
<b>DS 70</b>	7	4.360	5.065	5.990	2.180	1.950	240	1.600	2.095	3.850	830	48-64	3.000*	7.000
<b>DS 90</b>	9	4.780	5.750	6.670	2.180	2.050	290	1.600	2.215	4.000	945	55-74	3.800*	8.800
<b>DS 120</b>	12	4.700	6.125	7.210	2.275	2.510	285	1.800	2.395	4.000	860	59-80	5.750*	10.000
<b>DS 150</b>	15	4.900	6.525	7.520	2.275	2.510	310	1.800	2.650	4.000	940	62-85	6.400*	11.000
<b>DS 180</b>	18	5.390	7.065	8.050	2.510	2.510	280	2.200	2.715	4.400	940	70-95	7.500*	13.000

## TECHNICAL SOLUTIONS

## PLUS POINTS

- Two opposite counter-rotating augers.
- Two counter blades for each bottom auger and one central counter blade.
- Two standard unloading doors with chutes.
- 2-speed gearbox available only for MT 120 and MT 150 .
- New 1650 mm wide silage cutter for 7-9 m<sup>3</sup> and 1800 mm wide silage cutter for DS 70 - 90 and DS 120 -150 -180.
- Quick and easy maintenance and accessibility.

WEIGHTS AND DIMENSIONS MAY VARY

- PARTICULARLY SUITABLE FOR COMPACT FEEDING TECHNOLOGY
- IDEAL FOR PROCESSING ALL TYPES OF LONG-FIBER BALES
- FAST CUTTING WITH A SOFT, HOMOGENEOUS MIXING

Photos, configuration and technical data are for guidance only and are not legally binding\*